

(ENGINEERS)

MODEL EFL

(ELECTRIC FUSE LINK)

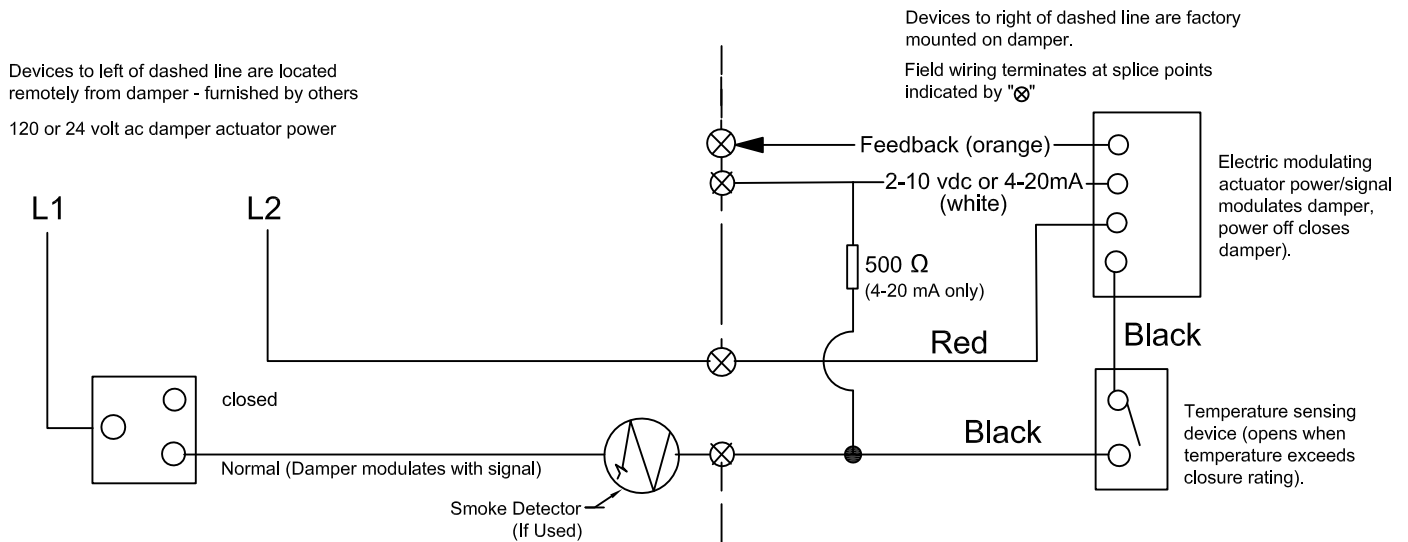
FOR MODULATING COMBINATION FIRE / SMOKE DAMPERS



U.L. 555S Classified at 250°F for use with Belimo FSAFB-24-SR Modulating Actuator/Operator *See Actuator/Operator Schedule

In today's life safety products markets, many building codes require fire dampers, smoke dampers and combination fire and smoke dampers to be inspected for proper operation. Many of these codes require that the damper be inspected and cycled every 6 months to a year depending on the local authority and the type of system in which it is installed. United Energetech's EFL option provides the ease of operating and resetting the damper in a matter of seconds without replacing the damper. **Dampers which allow remote resetting of the damper from a remote location are dangerous.** A remotely reset damper may not be fully functional and should be visually inspected. The EFL is reset from the outside of the damper sleeve, when the actuator is externally mounted, therefore requiring a visual inspection of the damper. By depressing a button on the outside of the sleeve an inspector can verify if the damper is fully operational. The EFL is a multi-use heat responsive device. It is wired in series with the smoke detector therefore it is user friendly in most applications. When the smoke detector interrupts the current to the damper, the EFL will not hinder the closing of the damper.

The EFL is standard on all United Energetech F/S-AFM Model dampers. The EFL comes in temperatures of 165°F, 212°F, 250°F with the FSAFB-24-SR actuator.



FS-AFM DAMPER EFL OPERATION

Switch is in Normal Position: Damper motor is energized until thermostat senses temperature above initial closure rating. Above temperature closure rating, the damper motor is de-energized and damper closes. Smoke Detector (if used) wired in series with temperature sensitive device. Switch in Closed Position damper motor is de-energized and damper is closed. Damper actuator may also receive a 2-10 vdc feedback signal for balancing purposes, however once the temperature closure rating is reached, the actuator will fail closed. Detailed wiring diagrams including terminal designation and/or wire color coding furnished with each shipment.

Indicator Switch Electrical Limitations

- 15 Amperes, 120 Volts A.C
- 15 Amperes, 24 Volts A.C.
- 12.5 Ampere, 250 Volts A.C.

Manufacturer's Recommendations

All moving parts of the damper must be inspected and cycled at intervals not greater than every 12 months or in accordance with the latest edition of NFPA 90A, 92A, local codes and the actuator manufacturer. In addition, fuse links shall be removed and inspected for corrosion. Dry lubricants are recommended.

Job Name:	<input type="checkbox"/> Model EFL (Modulating Dampers)		
Location:			
Architect:			
Engineer:	Drawn By: CLJ	Date: 4-18-19	Rev. Date:
Contractor:	Rev. No.		Dwg. No.: P-63e